

QuakeWrap®

QuakeWrap Inc.

6840 S. Tucson Blvd.
Tucson, Arizona 85756

Phone: (520) 791-7000
Toll Free: (866) QuakeWrap

www.QuakeWrap.com

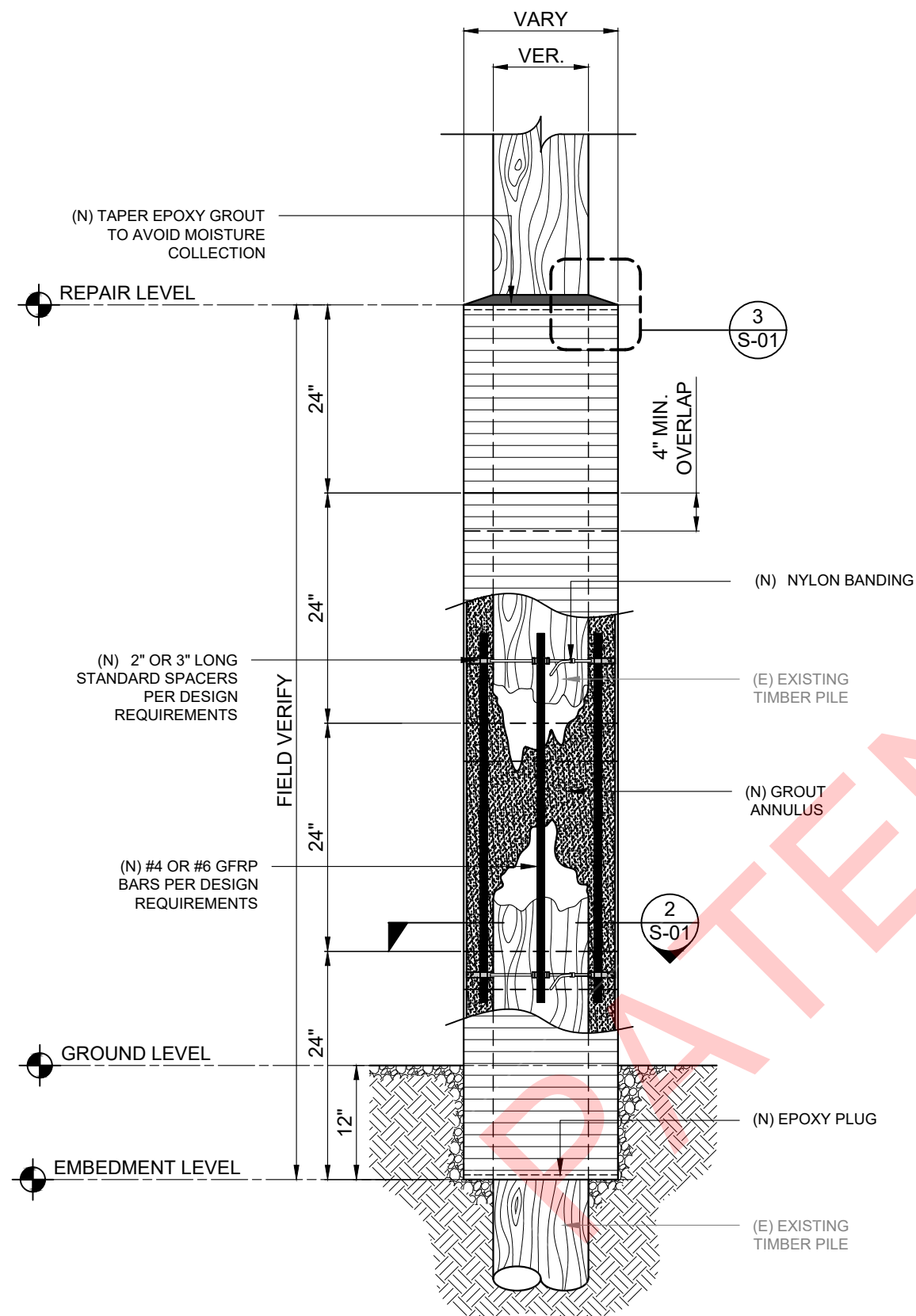
PROJECT:

CLIENT:

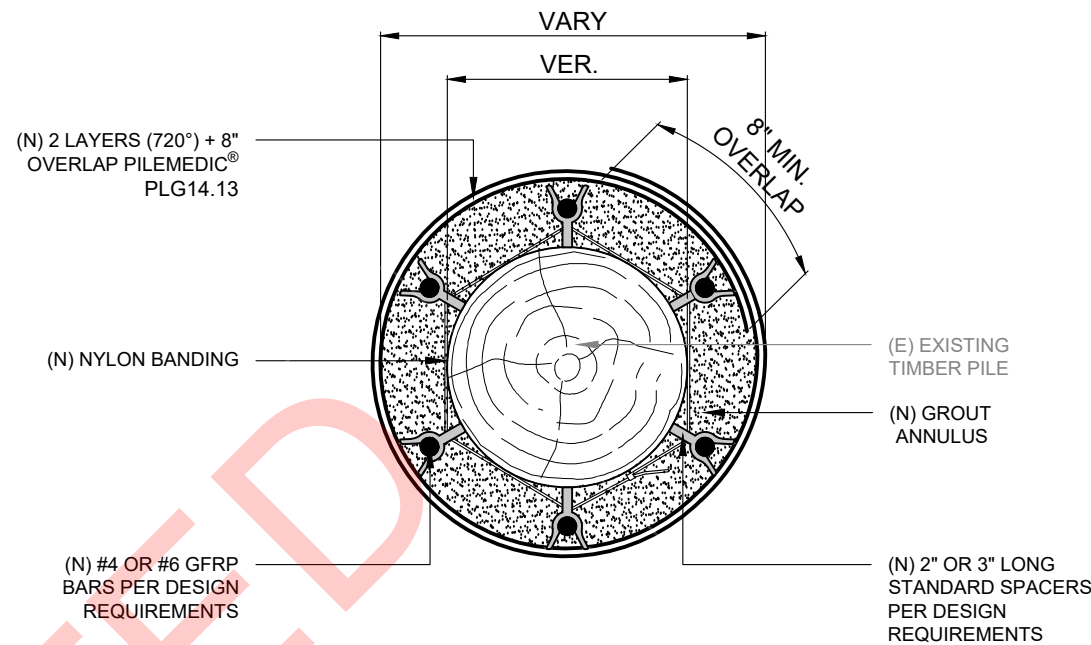
TITLE:

TYPICAL TIMBER PILE REPAIR DETAILS

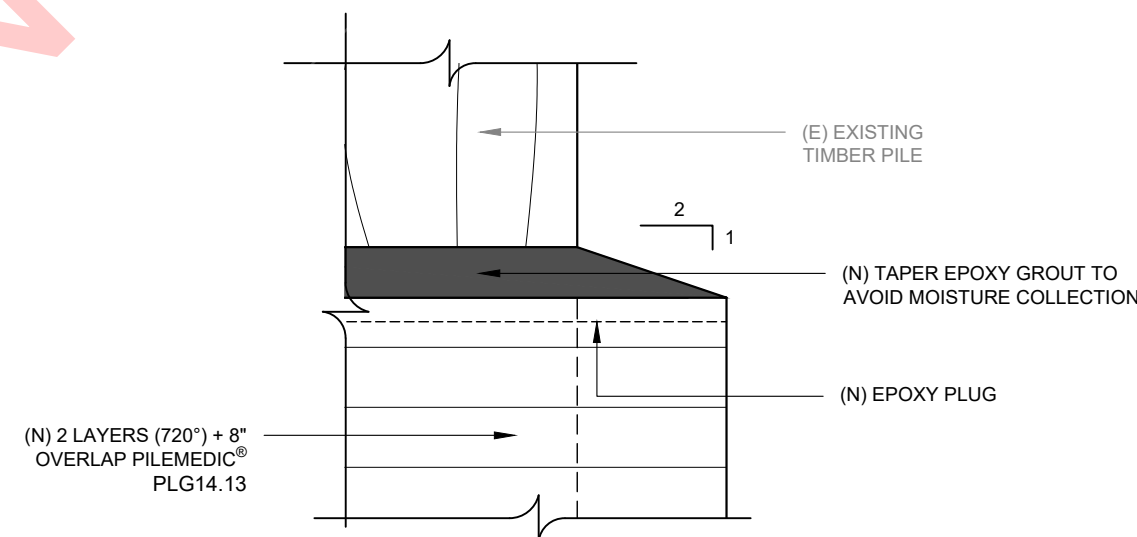
DESIGNED & APPROVED BY:



**SEVERE DAMAGE
TIMBER PILE REPAIR ELEVATION VIEW** (1)
SCALE: 3/4"=1'-0"



**SEVERE DAMAGE
TIMBER PILE REPAIR CROSS SECTION** (2)
SCALE: 1=1/2"=1'-0"

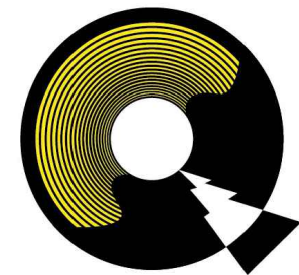


**SEVERE DAMAGE
TERMINATION DETAIL** (3)
SCALE: 3"=1'-0"

ALL SERVICES, METHODS AND PRODUCTS OF PILEMEDIC, LLC AND QUAKEWRAP, INC. WHETHER OFFERED BY THIS COMPANY OR VIA ANY OTHER CHANNEL ARE PROTECTED BY MULTIPLE US AND INTERNATIONAL PATENTS AND PENDING PATENT APPLICATIONS.

REVISIONS				
NO.	DESCRIPTION	DRAWN	CHECKED	DATE

S - 01



QuakeWrap®

QuakeWrap Inc.

6840 S. Tucson Blvd.
Tucson, Arizona 85756

Phone: (520) 791-7000
Toll Free: (866) QuakeWrap

www.QuakeWrap.com

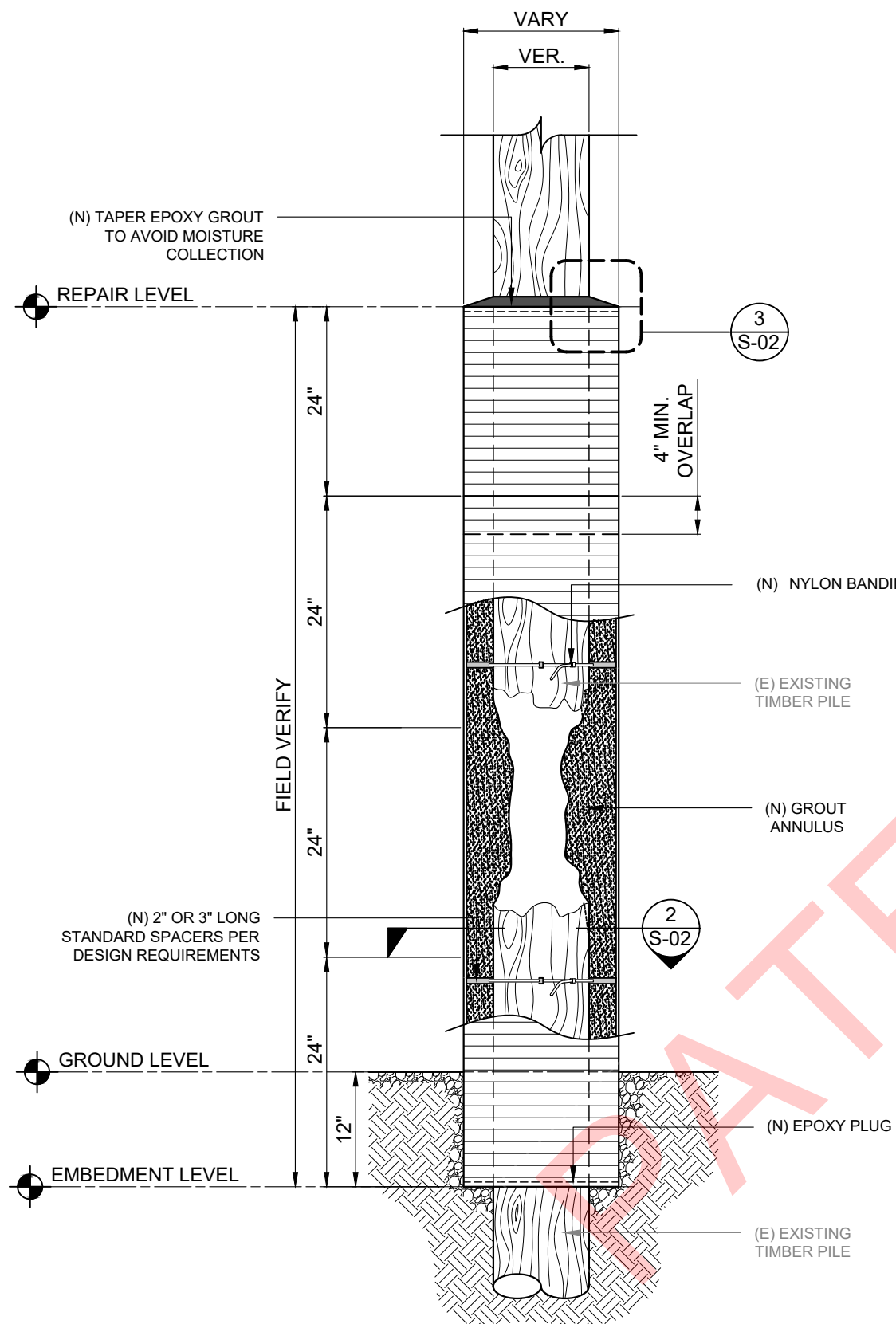
PROJECT:

CLIENT:

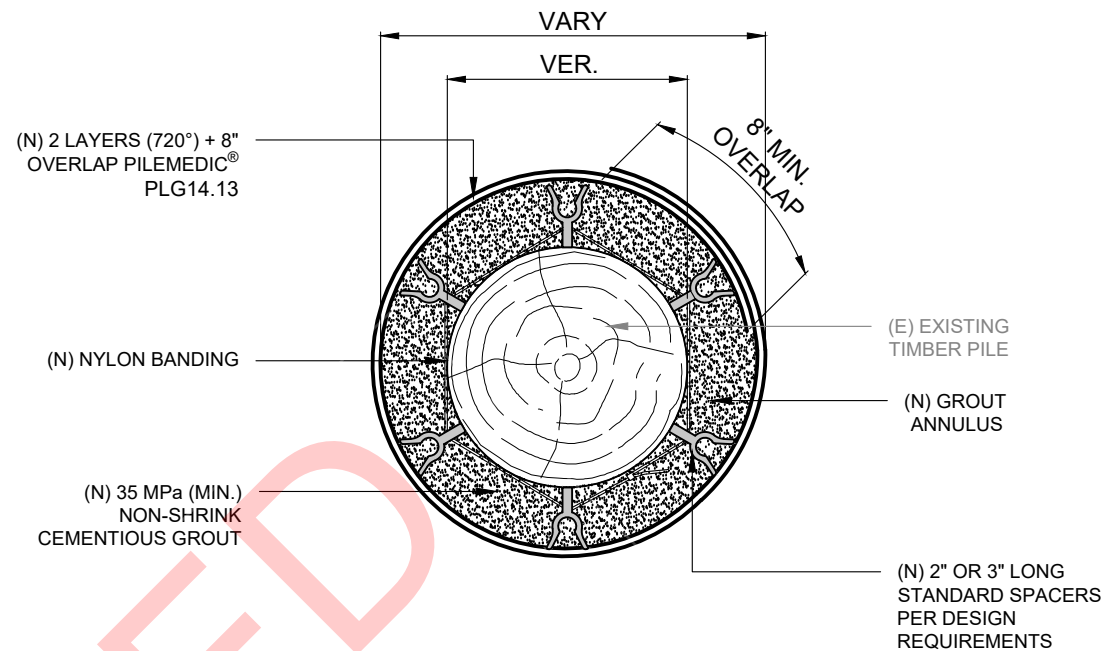
TITLE:

TYPICAL TIMBER PILE REPAIR DETAILS

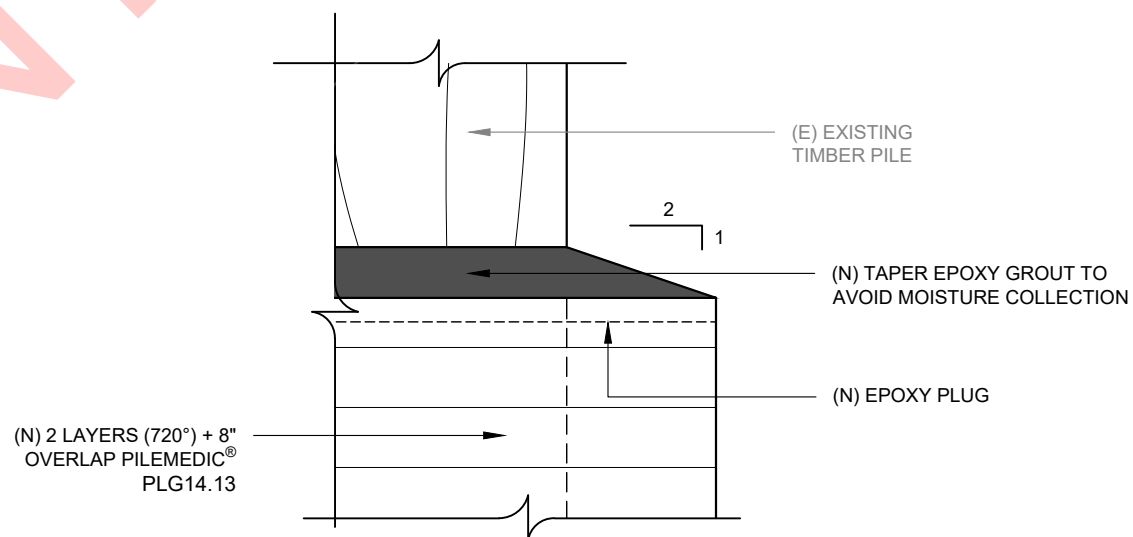
DESIGNED & APPROVED BY:



**MILD DAMAGE
TIMBER PILE REPAIR ELEVATION VIEW** (1)
SCALE: 3/4"=1'-0" S-02



**MLD DAMAGE
TIMBER PILE REPAIR CROSS SECTION** (2)
SCALE: 1=1/2"=1'-0" S-02



**MILD DAMAGE
TERMINATION DETAIL** (3)
SCALE: 3"=1'-0" S-02

ALL SERVICES, METHODS AND PRODUCTS OF PILEMEDIC, LLC AND QUAKEWRAP, INC. WHETHER OFFERED BY THIS COMPANY OR VIA ANY OTHER CHANNEL ARE PROTECTED BY MULTIPLE US AND INTERNATIONAL PATENTS AND PENDING PATENT APPLICATIONS.

REVISIONS				
NO.	DESCRIPTION	DRAWN	CHECKED	DATE