



**QuakeWrap®**

**QuakeWrap Inc.**

6840 S. Tucson Blvd.  
Tucson, Arizona 85756

Phone: (520) 791-7000  
Toll Free: (866) QuakeWrap

www.QuakeWrap.com

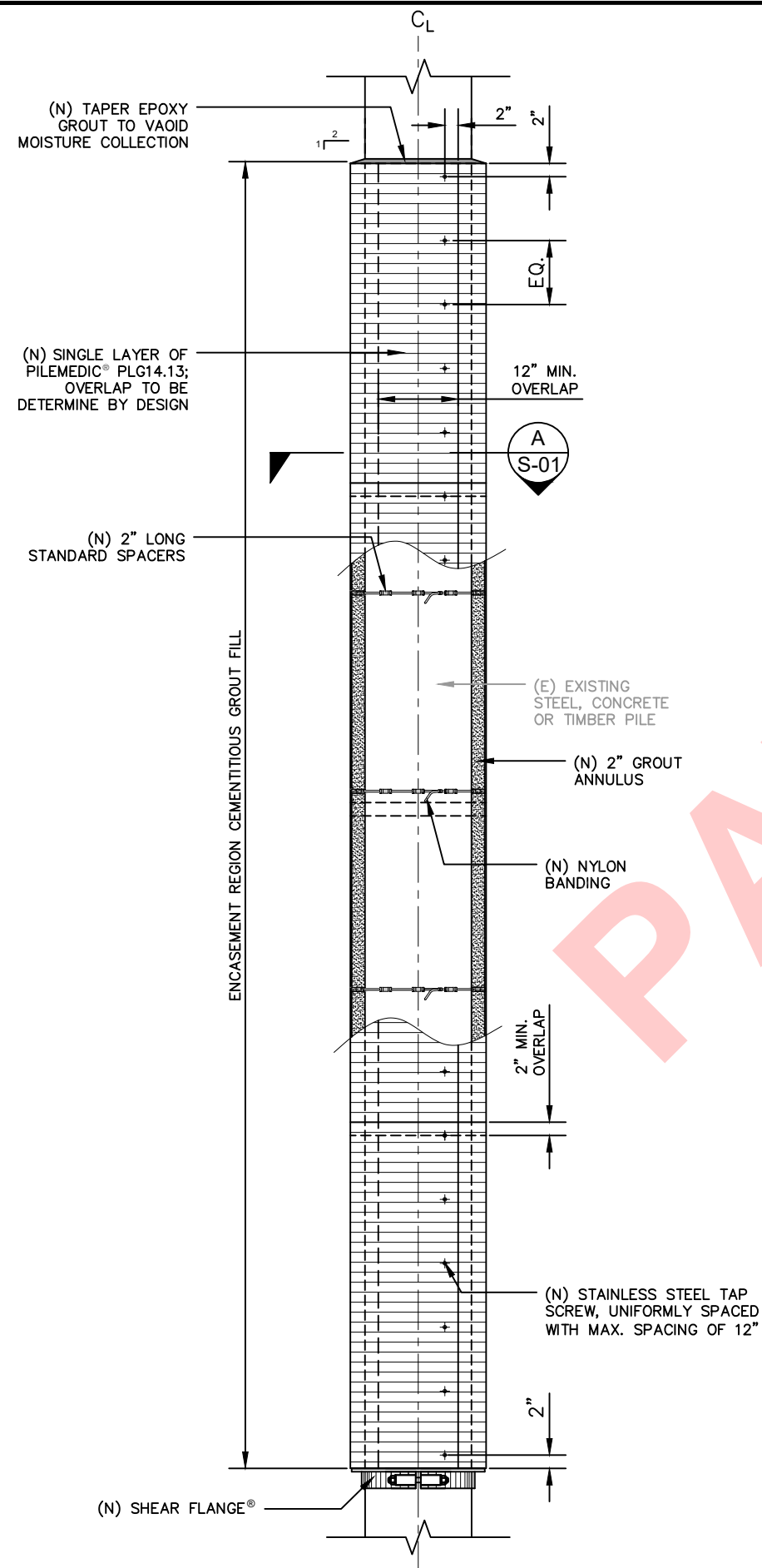
**PROJECT:**

**CLIENT:**

**TITLE:**

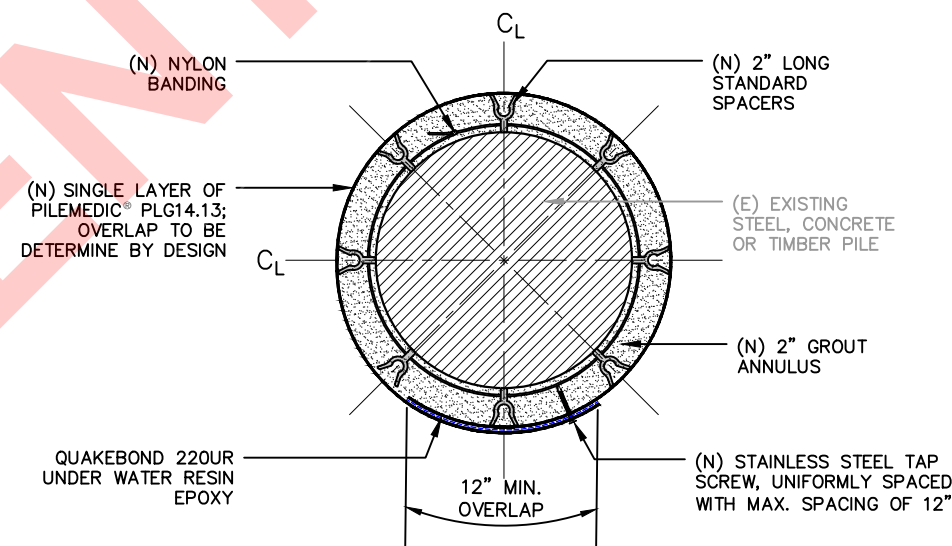
TYPICAL DETAIL FOR  
PROTECTION ONLY

DESIGNED & APPROVED BY:



**TYPICAL REPAIR ELEVATION ELEVATION**

SCALE: 1/2"=1'-0"



**TYPICAL CROSS SECTION**

SCALE: 1"=1'-0"

A  
S-01

ALL SERVICES, METHODS AND PRODUCTS OF PILEMEDIC, LLC AND QUAKEWRAP, INC. WHETHER OFFERED BY THIS COMPANY OR VIA ANY OTHER CHANNEL ARE PROTECTED BY MULTIPLE US AND INTERNATIONAL PATENTS AND PENDING PATENT APPLICATIONS.

		REVISIONS		
NO.	DESCRIPTION	DRAWN	CHECKED	DATE
			S - 01	