

QuakeWrap[®]

QuakeWrap Inc.

6840 S. Tucson Blvd.
Tucson, Arizona 85756

Phone: (520) 791-7000
Toll Free: (866) QuakeWrap

www.QuakeWrap.com

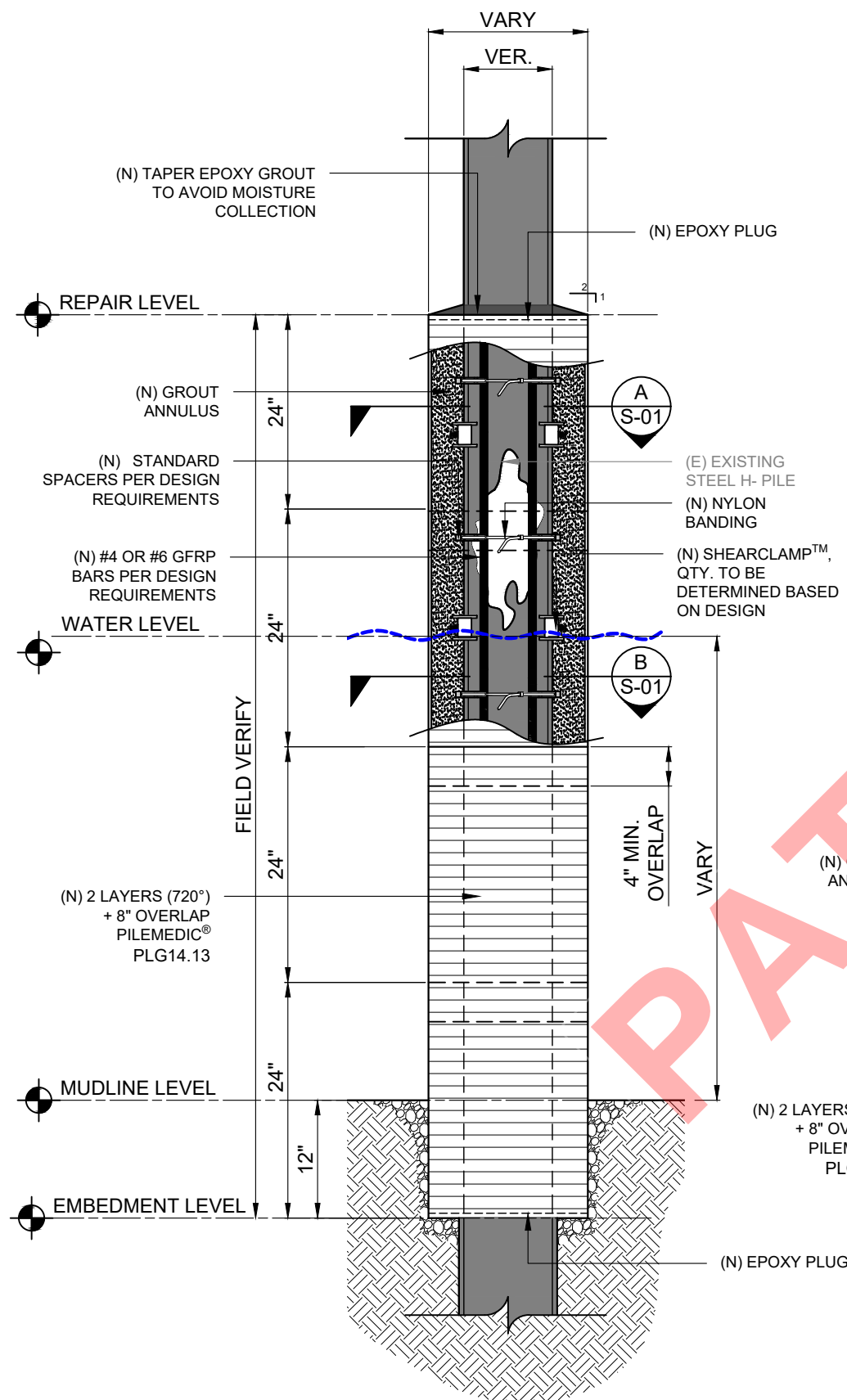
PROJECT:

CLIENT:

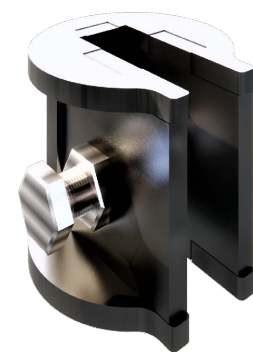
TITLE:

TYPICAL STEEL H-PILE REPAIR DETAILS

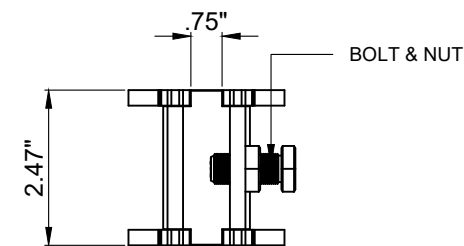
DESIGNED & APPROVED BY:



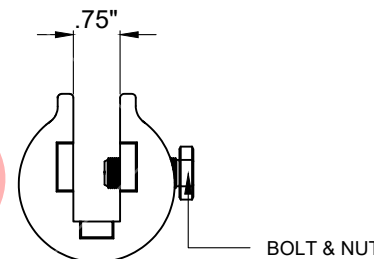
TYPICAL STEEL H-PILE REPAIR ELEVATION VIEW (1) S-01
SCALE: 3/4"=1'-0"



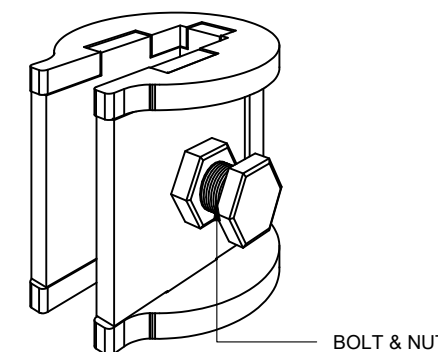
SHEARCLAMP™



ELEVATION VIEW

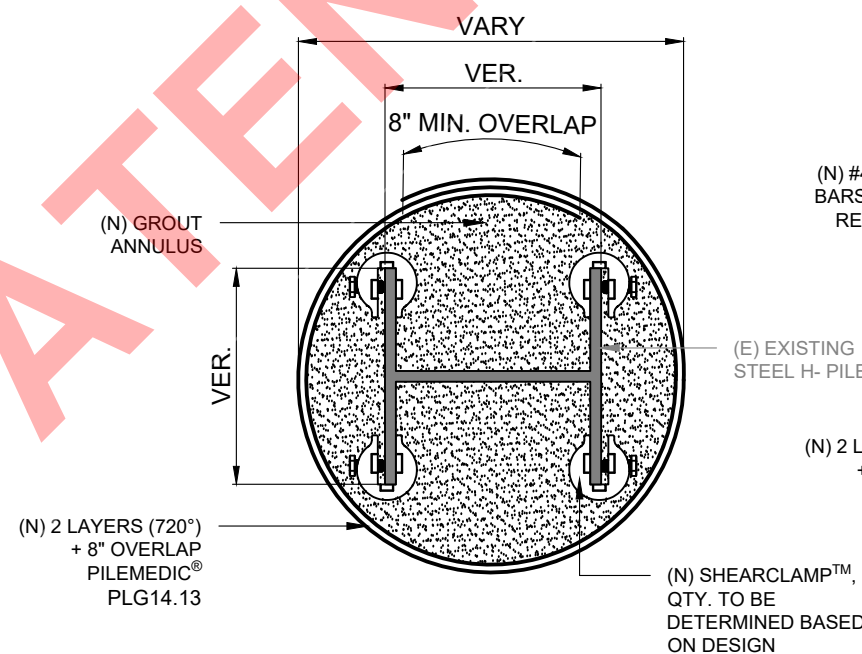


TOP VIEW

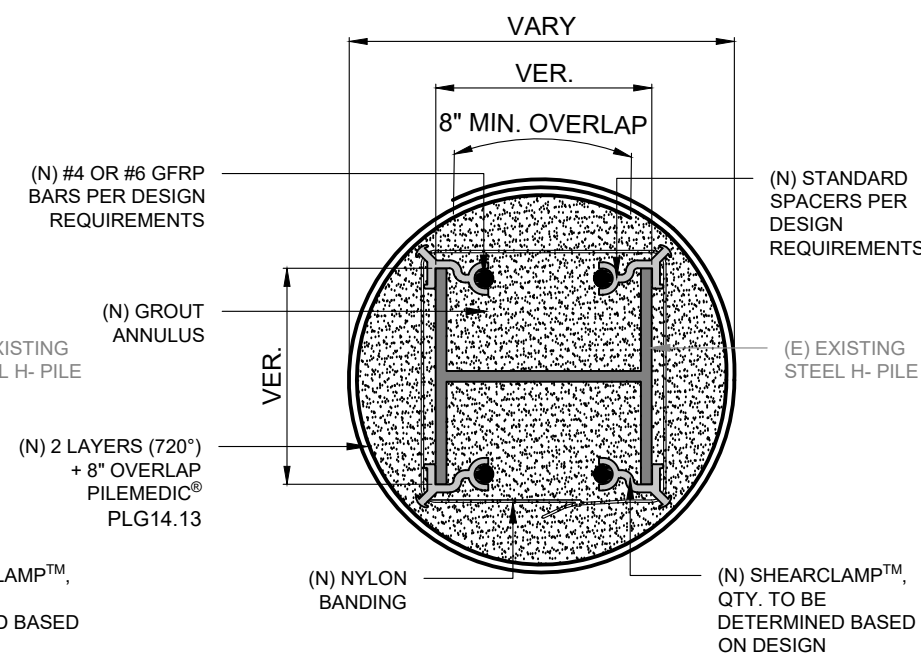


3D VIEW

TYPICAL SHEARCLAMP™ DETAILS
SCALE: NTS.



TYPICAL CROSS SECTION (A) S-01
SCALE: 1=1/2"=1'-0"



TYPICAL CROSS SECTION (B) S-01
SCALE: 1=1/2"=1'-0"

ALL SERVICES, METHODS AND PRODUCTS OF PILEMEDIC, LLC AND QUAKEWRAP, INC. WHETHER OFFERED BY THIS COMPANY OR VIA ANY OTHER CHANNEL ARE PROTECTED BY MULTIPLE US AND INTERNATIONAL PATENTS AND PENDING PATENT APPLICATIONS.

REVISIONS				
NO.	DESCRIPTION	DRAWN	CHECKED	DATE

S - 01