

QuakeWrap®

QuakeWrap Inc.

6840 S. Tucson Blvd.
Tucson, Arizona 85756

Phone: (520) 791-7000
Toll Free: (866) QuakeWrap

www.QuakeWrap.com

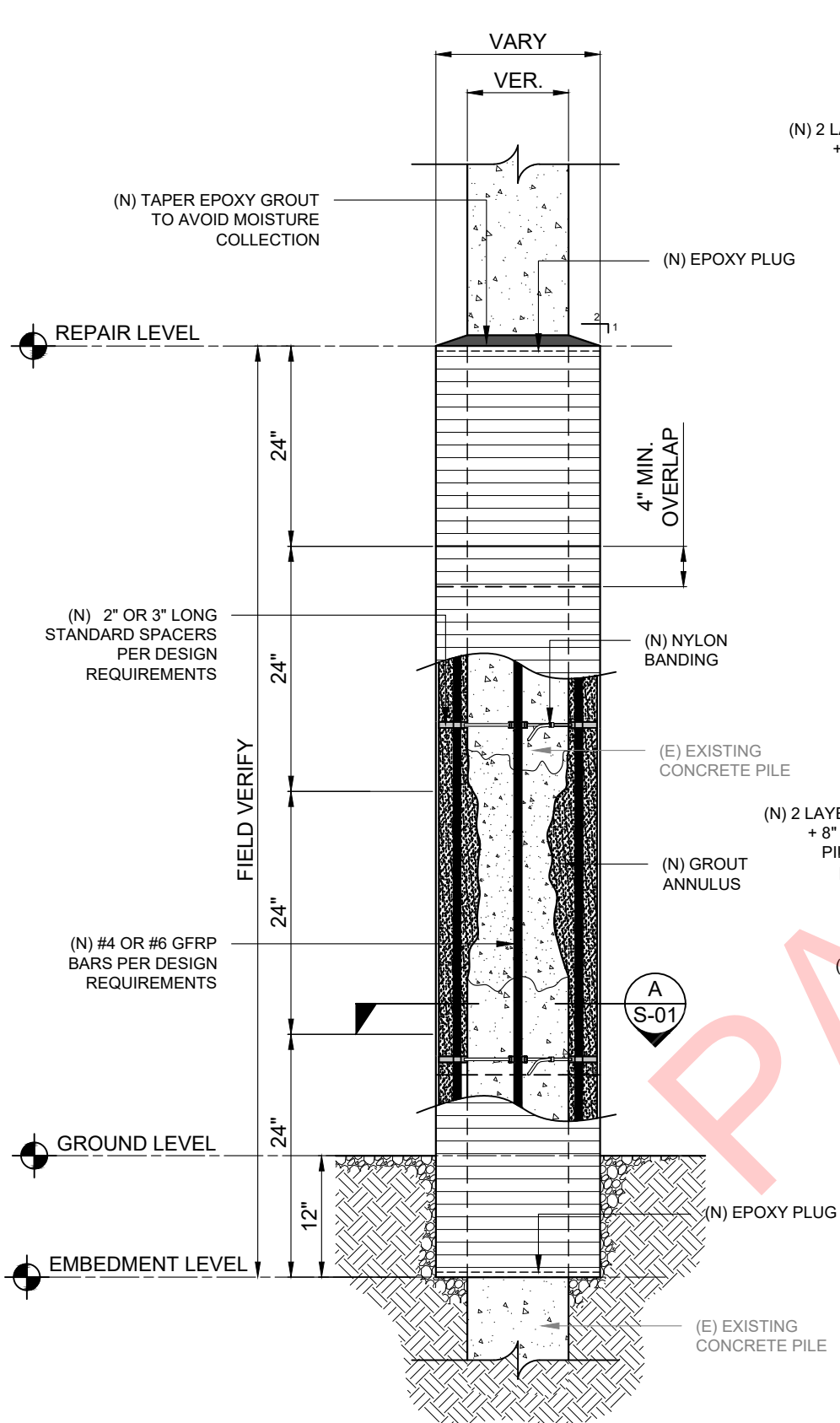
PROJECT:

CLIENT:

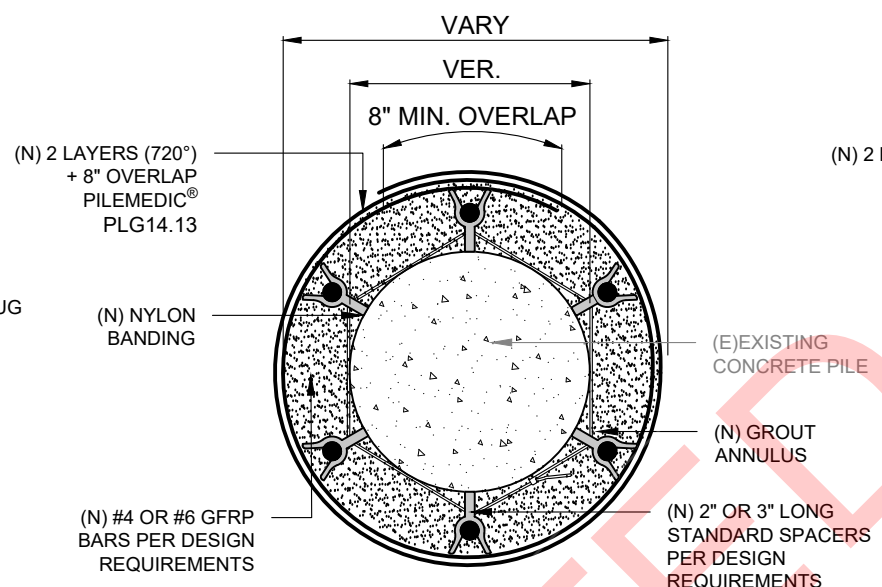
TITLE:

TYPICAL CONCRETE PILE REPAIR DETAILS

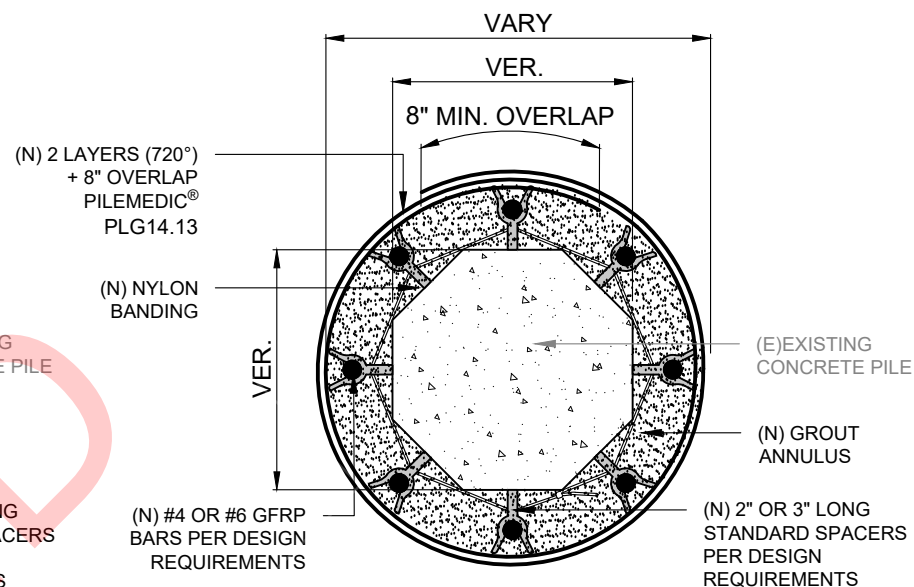
DESIGNED & APPROVED BY:



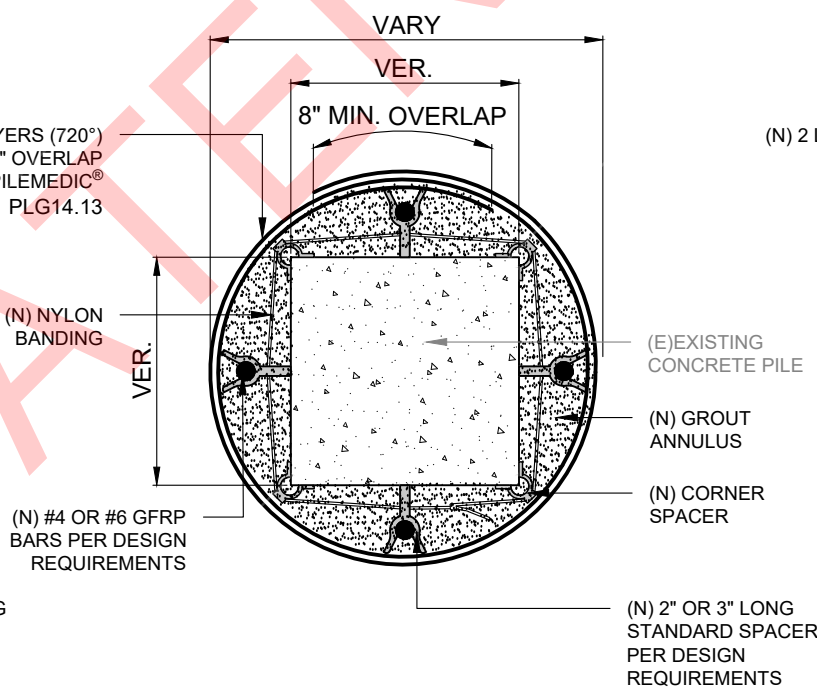
TYPICAL CONCRETE PILE REPAIR ELEVATION VIEW (A) S-01
SCALE: 3/4"=1'-0"



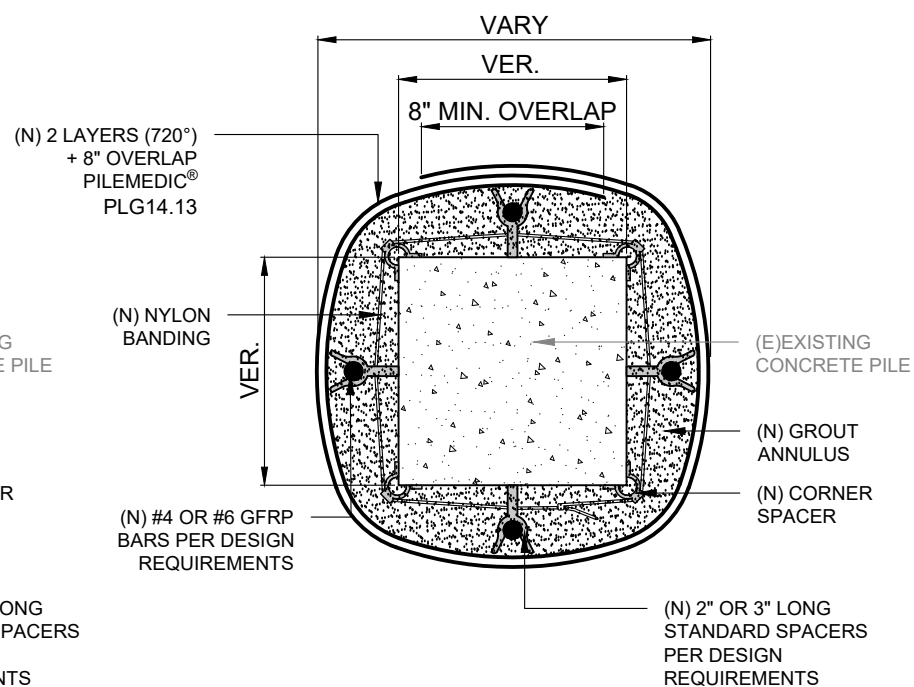
CIRCULAR COLUMN TYPICAL CROSS SECTION (A) S-01
SCALE: 1=1/2"=1'-0"



OCTAGONAL COLUMN TYPICAL CROSS SECTION (A) S-01
SCALE: 1=1/2"=1'-0"



SQUARE COLUMN REPAIRED WITH A CIRCULAR SHAPE (A) S-01
SCALE: 1=1/2"=1'-0"



SQUARE COLUMN REPAIRED WITH A SQUIRLE SHAPE (A) S-01
SCALE: 1=1/2"=1'-0"

ALL SERVICES, METHODS AND PRODUCTS OF PILEMEDIC, LLC AND QUAKEWRAP, INC. WHETHER OFFERED BY THIS COMPANY OR VIA ANY OTHER CHANNEL ARE PROTECTED BY MULTIPLE US AND INTERNATIONAL PATENTS AND PENDING PATENT APPLICATIONS.

REVISIONS				
NO.	DESCRIPTION	DRAWN	CHECKED	DATE